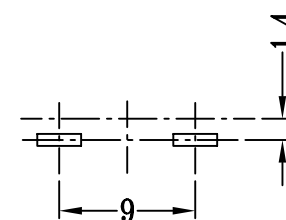
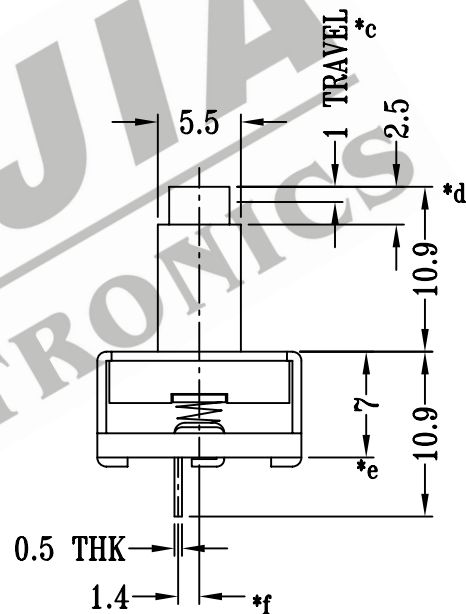
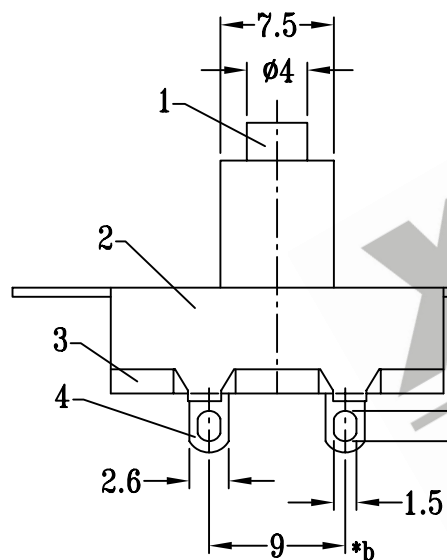
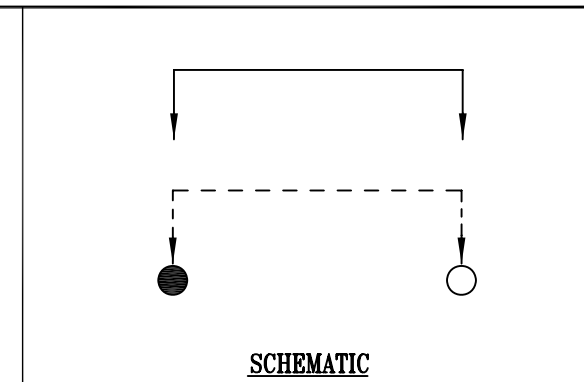
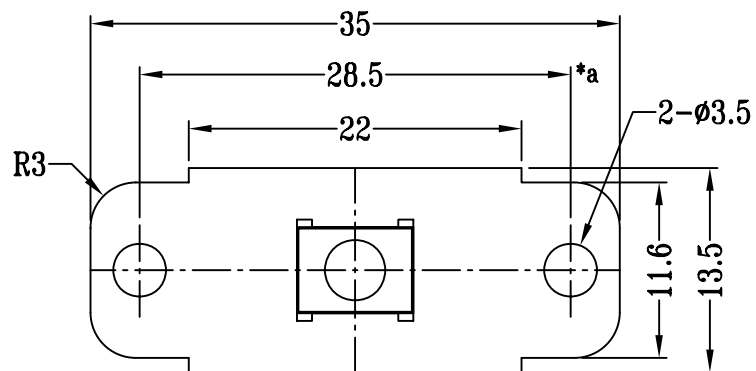


CAD FILE:



P.C.B LAYOUT

注:带"*"表示关键尺寸(6个)

8					TOLERANCE	SHENZHEN XIEJIA ELECTRONICS CO.,LTD.				
7					UNLESS SPECIFIED					
6	SPRING	STEEL WIRE	1	TEMPER	WITHIN: 1.5±0.1mm	ISSUE	DATE	DESCRIPTIONS OF REVISION		APPD.
5	CONTACT	COPPER STRIP	1	Ag PLATED	OVER: 1.5±0.2mm					
4	TERMINAL	COPPER STRIP	2	Ag PLATED OVER Ni PLATED	TITLE : PUSH SWITCH		UNIT : mm	DRWG NO.: XJ-DR-PS11A02-00		
3	BASE	PHENOLIC RESIN	1	NATURAL	MODEL: PS-11A02		SCALE: 2 : 1	DWN.	ZHOUYU	2001-4-20
2	FRAME	STEEL STRIP	1	Zn PLATED	ALL MATERIALS MUST BE COMPLIANT TO ROHS			CHK'D	FANGYING	2001-4-20
1	KNOB	NYLON+F.G+94V0	1	BLACK				APPD.	KANGXINAN	2001-4-20
NO.	PARTS	MATERIALS	Q'TY	FINISH						